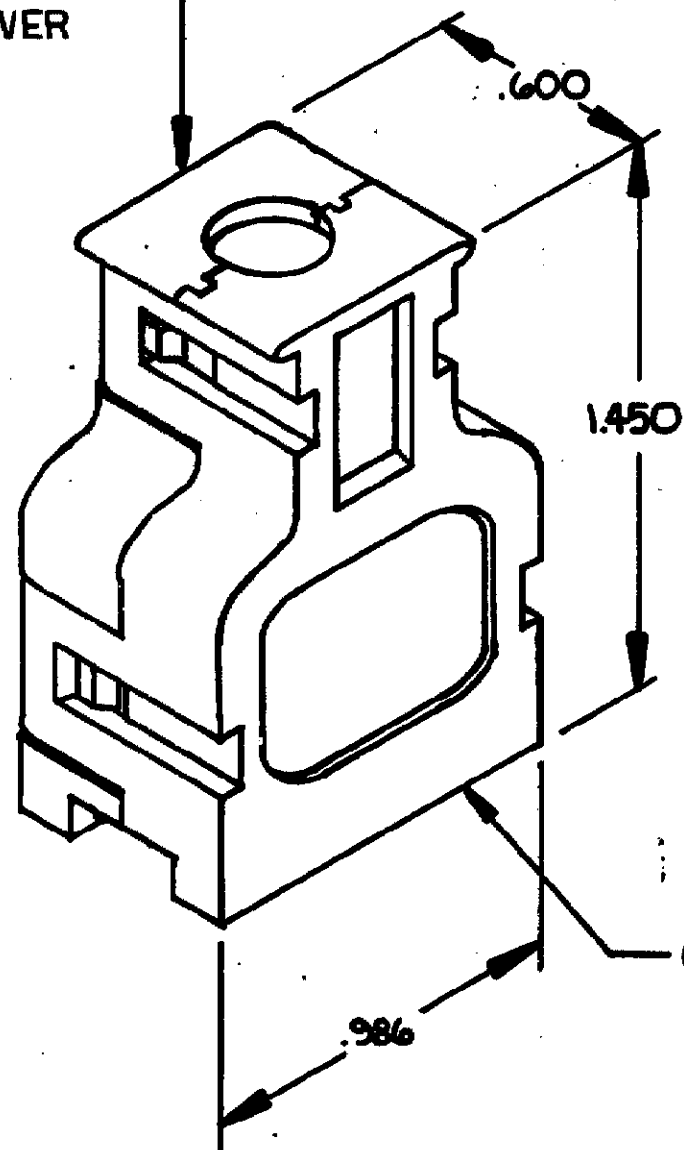


REVISIONS						
P	F	ZONE	LTR	DESCRIPTION	DATE	APPROVED
E				REV PER ECN AA-4373	10-14-87	am TC

TONGUE SIDE
180° COVER



GROOVE SIDE
180° COVER

1. ALL DIMENSIONS SHOWN ARE FOR REFERENCE ONLY UNLESS OTHERWISE SPECIFIED.
2. COVERS SHIPPED NOT ASSEMBLED.
3. 100 KITS BULK PACKED.

CABLE RANGE DIAMETER	COLOR	GROOVE SIDE PART NO.	TONGUE SIDE PART NO.	KIT PART NO.
.265 - .310		2-552078-1	2-552077-1	2-552079-1
.220 - .265	BLACK	1-552078-1	1-552077-1	1-552079-1
.175 - .220		552078-1	552077-1	552079-1

UNLESS OTHERWISE SPECIFIED DIMENSIONS ARE IN INCHES. TOLERANCES ON: DECIMALS ± ANGLES ±	CONTRACT NO		AMP AMP INCORPORATED Harrisburg, Pa.	
	DR	<i>Phil Collins 5/6/83</i>		
	CHK	<i>Stephen Dora 5/9/83</i>	NAME	COVER KIT, 180°, 14 POSITION, CHAMP®
	MATERIAL	APPD <i>C.F. Mize 5/24/83</i> APPD <i>R. K. Kistner 5/26/83</i>	SIZE	FSCM NO 00779
FINISH	OSGN APPD	SCALE	B	2:1
	OTHER APPD			SHEET 1 OF 1